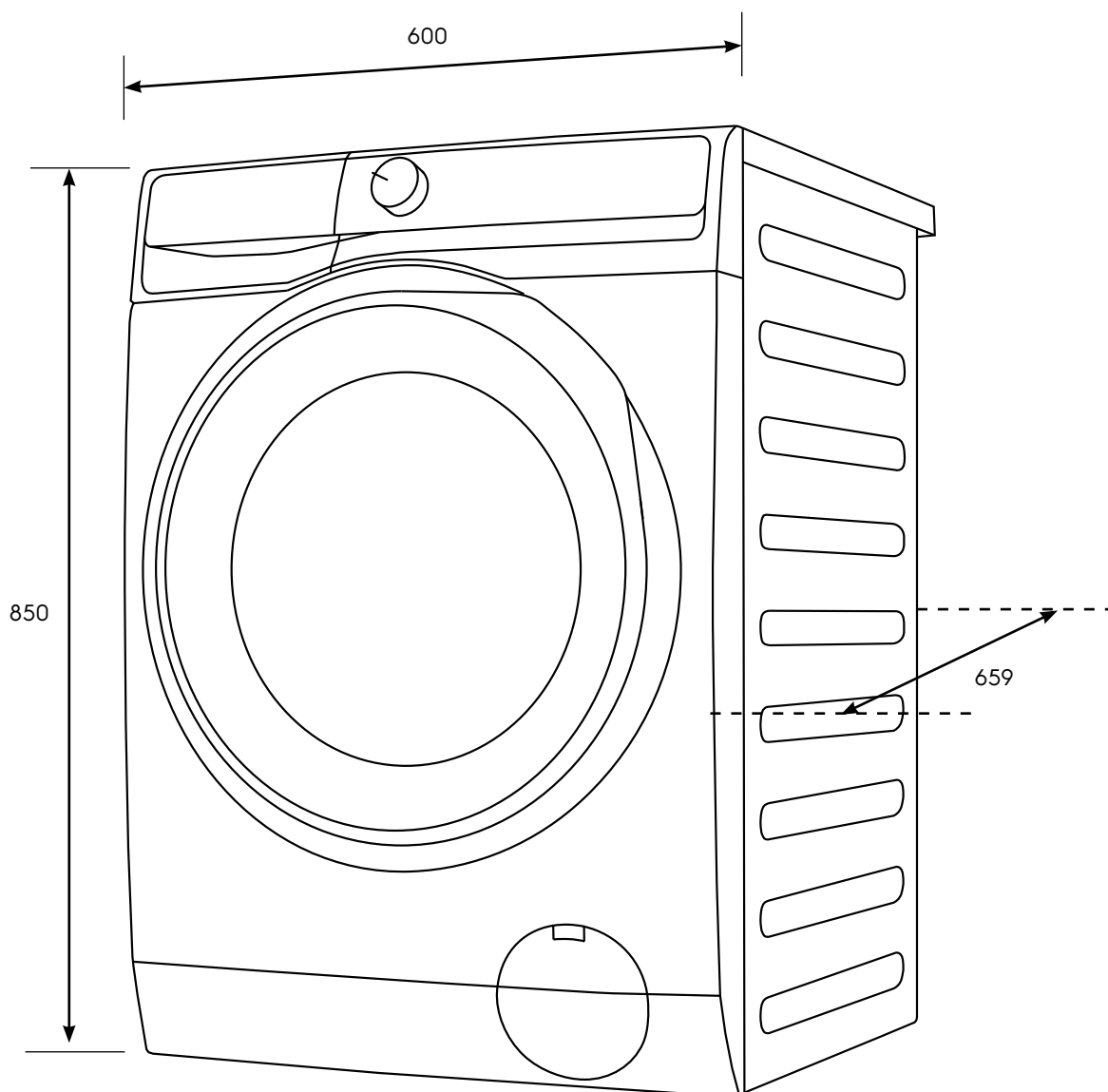


# Dimension Guide

## Washing machine

**Model:**  
EWF1342R9SC

| Dimensions   |       |        |       |
|--------------|-------|--------|-------|
|              | width | height | depth |
| Product (mm) | 600   | 850    | 659   |



**Please note!** Dimensions to be used as a guide only. All customers MUST refer to the user manual supplied with the product for detailed installation instructions.

© 2024 Electrolux S.E.A PTE. LTD. ELX\_DIM\_EWF1342R9SC\_ANZ\_Mar24